

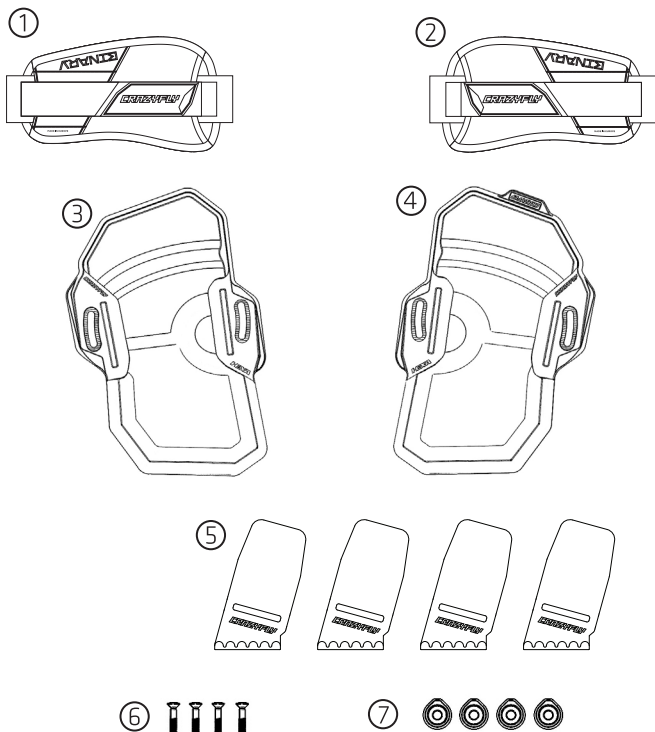
CRAZYFLY

BINARY

BINDING

USER MANUAL

PACKAGE CONTENTS



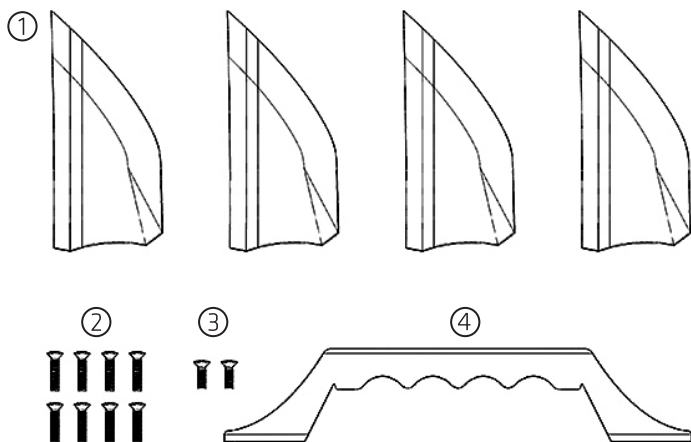
- ① 1 x Binary footstrap Left - L
- ② 1 x Binary footstrap Right - R
- ③ 1 x Hexa footpad Left - L
- ④ 1 x Hexa footpad Right - R
- ⑤ 4 x Binary Stix
- ⑥ 4 x Screw M6 x 20
- ⑦ 4 x Binary washer

1 x Binary bag

1 x Manual

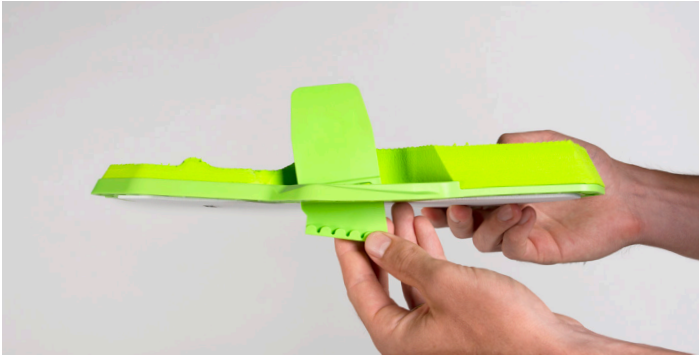
OPTIONAL PACKAGE CONTENT

IF BOUGHT TOGETHER WITH A CRAZYFLY KITEBOARD

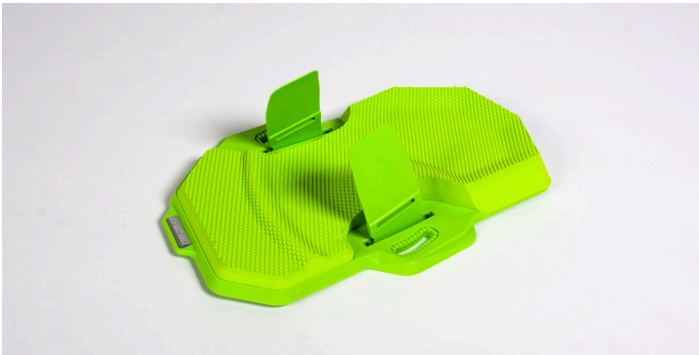


- ① 4 x Razor fin
- ② 8 x Razor fin screw 4.5 x 16
- ③ 2 x Handle screw M6 x 10
- ④ 1 x Handle

HOW TO MOUNT



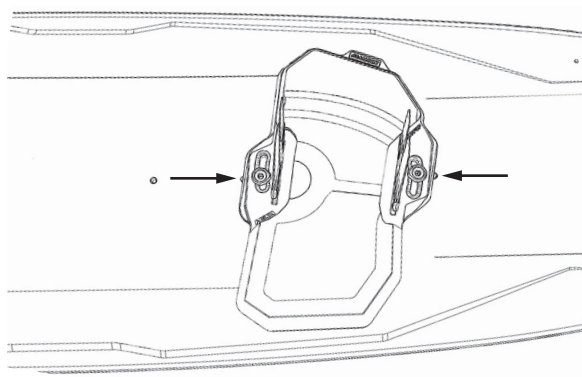
- 1.** Take 1 pc Binary Stix and 1 pc footpad right. Place the Binary Stix through the footpad frame opening on the left and on the right side.

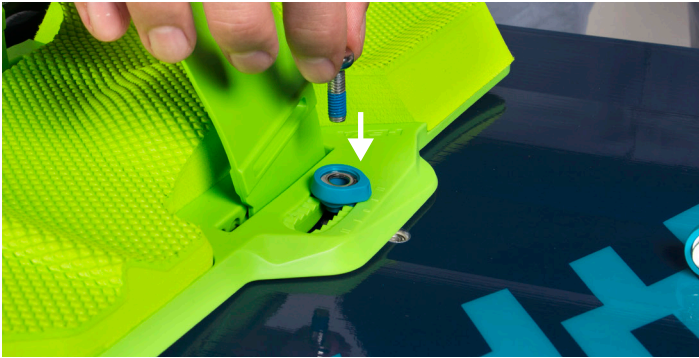


We suggest to use the middle position for the Binary Stix.

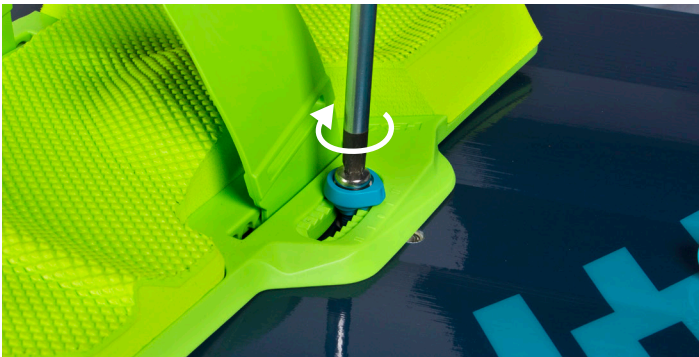


2. Place the right footpad on the board and select desired insert position. This determines your stance width.

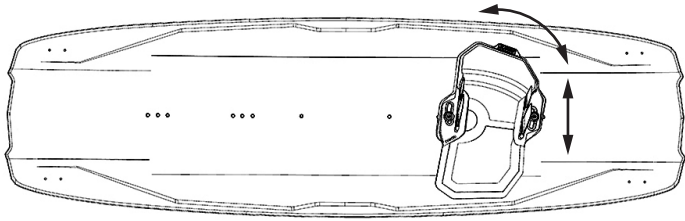




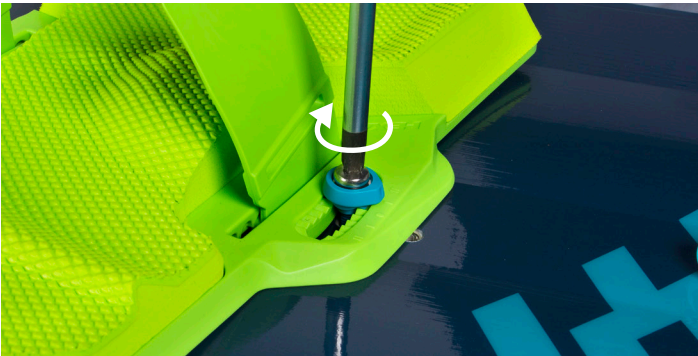
3. Put 2 pcs Binary washers in place, one to the left and the other one to the right side of the footpad. Make sure the holes in the washer are aligned with the inserts on the board.



4. Tighten 2 pcs screws slightly - left and right side of the footpad.



5. Adjust the footpad angle to the desired position.



6. Fully tighten the screws. Please check the footpad screws after the first few rides, as they may come loose. If loose, make sure to fully tighten the screws.



7. Take the Binary footstrap Right and open the velcro. Thread the velcro through the Binary Stix on both left and right side of the footstrap.



8. Slide the Binary Stix inside the footstrap.



9. Step inside the Binary binding. Adjust the Binary footstrap with the velcros for the best fit and close the velcros.



10. The binding is ready to go.



11. If further adjustments for the angle of the binding is needed, loosen the screws a little until the Binary Binding is able to spin. Adjust the angle again to the desired position and fully tighten the screws.



12. If further adjustments for the footstrap position and footpad position are needed, undo the screws completely. Lift up the Binary Binding, push the Binary Stix down so they pop out of the footpad Frame. Adjust the Binary Stix to the desired position and pop them back in the footpad Frame. Mount the Binary Binding back on the board to the desired position and fully tighten your screws.

13. Repeat the whole process on the left side. Enjoy the ride.

CRAZYFLYKITES.COM



**KB BY BUYING THESE PRODUCTS
CH YOU SUPPORT CHILDREN.**

kiteboardingforchildren.com



**REGISTER
YOUR GEAR**

crazyflykites.com/register